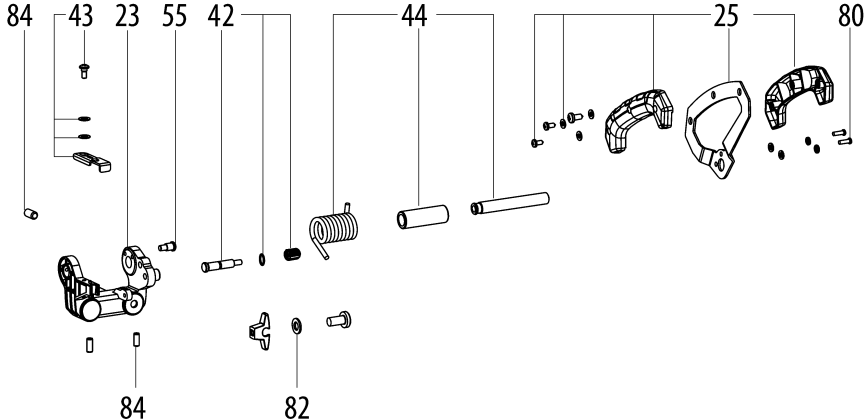
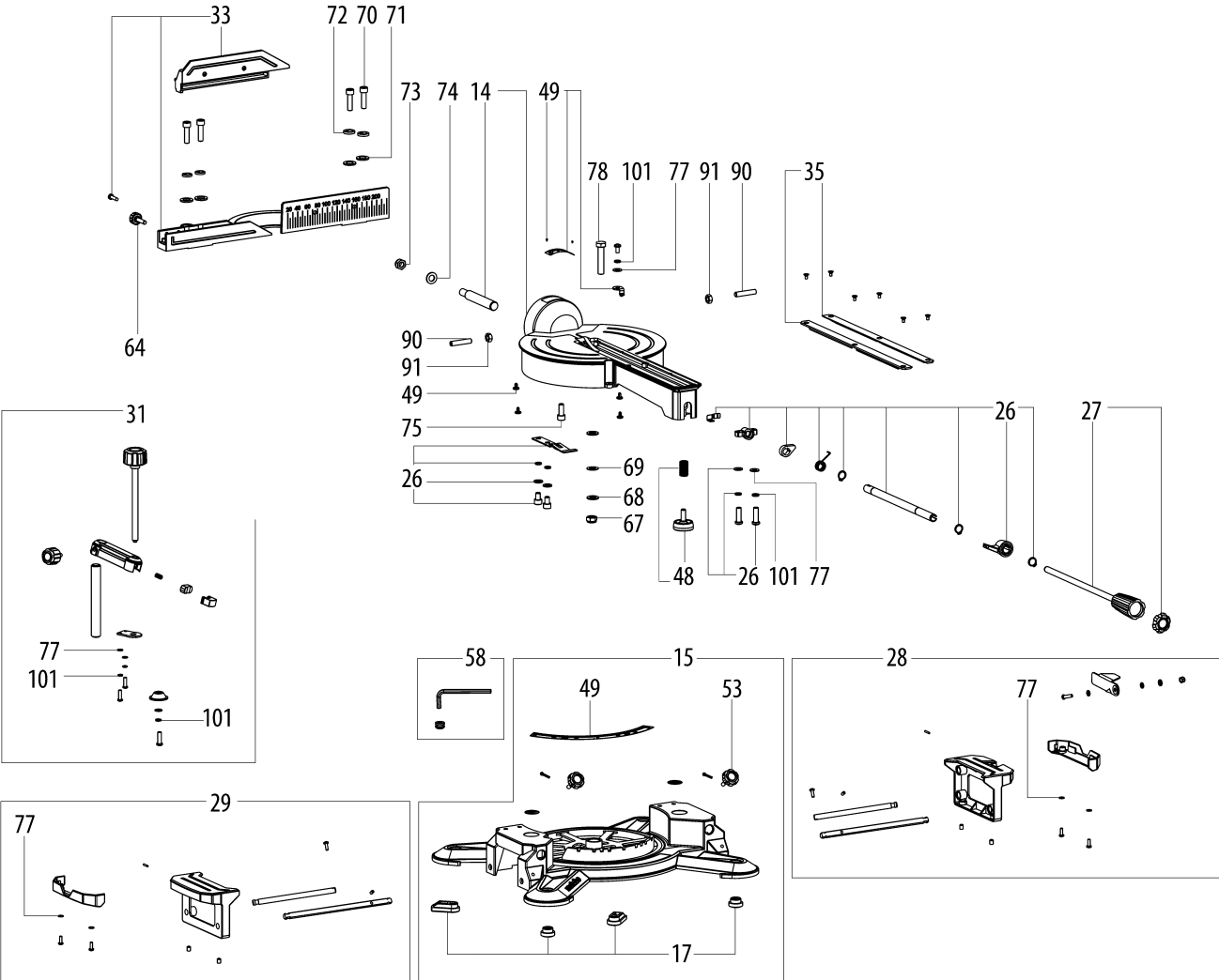


1001







| Position | Amount | Type number | Description | PG |
|----------|--------|-------------|------------------------------|----|
| 1 | 1 | 316060620 | Carbon brush holder compl. | 16 |
| 2 | 1 | 343435810 | Motor cover | 14 |
| 3 | 1 | 316060610 | Flange compl. | 21 |
| 4 | 1 | 316060650 | Carbon brush set | 15 |
| 5 | 1 | 343436090 | LED-Lamp | 20 |
| 6 | 1 | 343436110 | Cover lighting | 11 |
| 7 | 1 | 310011420 | Stator | 34 |
| 8 | 1 | 310011470 | ARMATURE | 38 |
| 9 | 1 | 316060690 | Gear-box compl. | 27 |
| 10 | 1 | 343254900 | Condenser | 11 |
| 11 | 1 | 316060720 | upper handle with switch set | 15 |
| 12 | 1 | 316056690 | Switch compl. | 21 |
| 13 | 1 | 343440900 | Power supply | 24 |
| 14 | 1 | 316055960 | Turntable compl. | 39 |
| 15 | 1 | 316055930 | Table compl. | 39 |
| 16 | 1 | 316092910 | Safety guard compl. | 27 |
| 17 | 1 | 316060840 | Foot compl. | 11 |
| 18 | 1 | 316060860 | stress relieve compl. | 23 |
| 19 | 1 | 316056230 | Wheel guard compl. | 35 |
| 20 | 1 | 316056710 | Release lever compl. | 14 |
| 22 | 1 | 343435740 | Handle bottom part | 25 |
| 23 | 1 | 316056070 | Motor bracket compl. | 29 |
| 24 | 1 | 316056100 | Pivot compl. | 38 |
| 25 | 1 | 316056740 | Handle compl. | 23 |
| 26 | 1 | 316060960 | Detent compl. | 21 |
| 27 | 1 | 316056790 | Control grip compl. | 19 |
| 28 | 1 | 315418520 | Table side extension right | 26 |
| 29 | 1 | 315418490 | Table side extension left | 28 |
| 30 | 1 | 316056270 | Motor housing compl. | 28 |
| 31 | 1 | 316075690 | Workpiece holder compl. | 22 |
| 32 | 1 | 316075440 | Bevel clamping comp. | 28 |
| 33 | 1 | 316055990 | Stop compl. | 31 |
| 34 | 1 | 315418540 | Rear pivot compl. | 34 |
| 35 | 1 | 343436020 | Table insert | 14 |
| 36 | 1 | 343436070 | Laser with holder | 22 |
| 37 | 1 | 316075450 | Dust etraction kit compl. | 13 |
| 38 | 1 | 343435780 | Cover dust collector | 14 |
| 39 | 1 | 343436260 | Extraction funnel | 11 |
| 40 | 1 | 343436170 | CABLE BRACKET | 11 |
| 41 | 1 | 316056870 | Spindle lock compl. | 14 |
| 42 | 1 | 316061380 | Transport lock compl. | 12 |
| 43 | 1 | 316057450 | Depth stop compl. | 11 |
| 44 | 1 | 316061400 | tipping axis compl. | 23 |
| 45 | 1 | 343441090 | Cover (cable channel) | 11 |
| 46 | 2 | 344113030 | Plug in buffer | 11 |
| 47 | 1 | 339136680 | cover pivot | 11 |
| 48 | 1 | 316056820 | Set screw compl. | 11 |
| 49 | 1 | 316061440 | Scale set compl. | 15 |
| 50 | 1 | 316061470 | Motor compl. | 48 |
| 51 | 1 | 339147650 | Sliding sheet | 12 |
| 52 | 1 | 316061520 | End stop cpl. | 15 |
| 53 | 1 | 343436220 | Star grip screw | 11 |

| Position | Amount | Type number | Description | PG |
|----------|--------|-------------|--|----|
| 54 | 1 | 316061540 | Bearing compl. | 14 |
| 55 | 1 | 341722210 | Stop screw | 11 |
| 57 | 1 | 344113040 | Rubber bushing | 11 |
| 58 | 1 | 316061550 | Tool holder col. | 11 |
| 61 | 1 | 338063070 | Rating plate | 11 |
| 62 | 1 | 343437020 | Star grip screw | 11 |
| 64 | 1 | 343437040 | Star grip screw | 11 |
| 65 | 1 | 143115700 | Ball bearing,8x22x7 | 14 |
| 66 | 1 | 143115730 | Ball bearing | 14 |
| 67 | 1 | 141132030 | Hex nut | 11 |
| 68 | 1 | 141150050 | Washer | 11 |
| 69 | 1 | 141150390 | Lock washer | 11 |
| 70 | 1 | 141113890 | Cap screw | 12 |
| 71 | 1 | 141150130 | Washer | 11 |
| 72 | 1 | 141155240 | Lock washer | 12 |
| 73 | 1 | 141130890 | Hexagonal lock nut | 12 |
| 74 | 1 | 141156200 | Washer | 11 |
| 75 | 1 | 141113840 | Cap screw | 12 |
| 76 | 1 | 141110590 | Fillister head screw | 11 |
| 77 | 1 | 141150010 | Washer | 11 |
| 79 | 1 | 141112180 | Countersunk screw | 11 |
| 80 | 1 | 141116780 | Fillister head screw | 11 |
| 81 | 1 | 141123710 | Fillister head screw | 11 |
| 82 | 1 | 141150020 | Washer | 11 |
| 83 | 1 | 141123840 | Countersunk screw | 11 |
| 84 | 1 | 141124510 | HEX. SOCKET SET SCREW, FLAT PT M 6X8 VER | 11 |
| 87 | 1 | 141150360 | Lock washer | 11 |
| 88 | 1 | 141110540 | Fillister head screw | 11 |
| 90 | 1 | 141124460 | HEX. SOCKET SET SCREW, FLAT PT | 11 |
| 91 | 1 | 141131010 | Hexagonal nut | 11 |
| 92 | 1 | 141123410 | Grub screw | 11 |
| 93 | 1 | 141116480 | Grub screw | 11 |
| 94 | 1 | 141113590 | Cap screw | 12 |
| 95 | 1 | 141124470 | CROSS REC'D PAN HEAD TAP.SCREW ST 4,2X9, | 11 |
| 96 | 1 | 141111430 | Fillister head screw | 12 |
| 97 | 1 | 141118730 | Self-tap. fill. h. screw | 11 |
| 98 | 1 | 141116800 | Self-tap. fill. h. screw | 11 |
| 99 | 1 | 141123940 | Self-tap. fill. h. screw | 11 |
| 100 | 1 | 141113220 | Fillister head screw | 11 |
| 101 | 1 | 141150350 | Lock washer | 11 |
| 105 | 1 | 343441120 | CABLE CLAMP | 11 |
| 1001 | 1 | 338505990 | Wiring diagram | |

