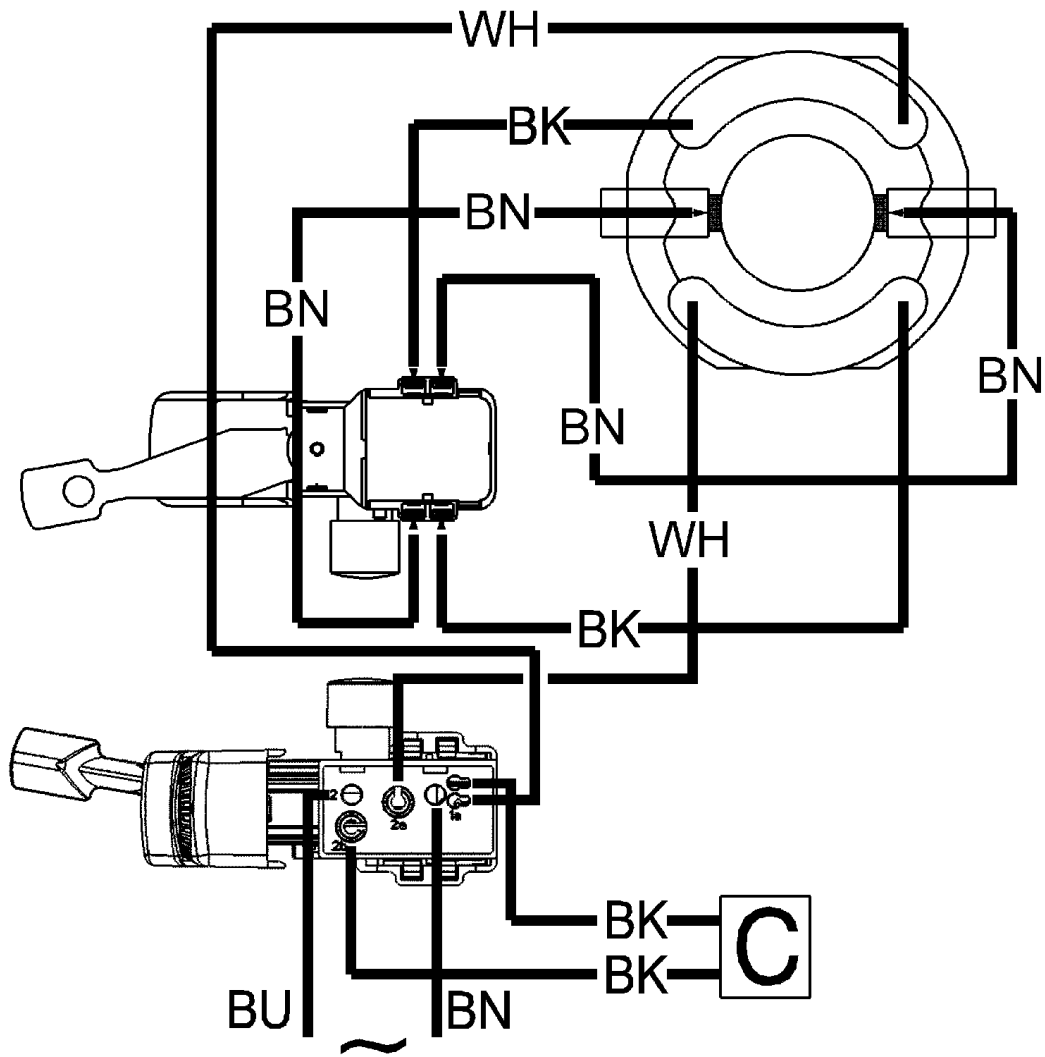


| Positie | Aantal | Typenummer | Omschrijving | PG |
|---------|--------|------------|---------------------------|----|
| 1 | 1 | 344099390 | Rubberen kap | 11 |
| 2 | 1 | 342022340 | Snapping | 11 |
| 3 | 1 | 343432920 | Verstelring | 16 |
| 4 | 1 | 339007650 | Ring | 11 |
| 5 | 1 | 342003890 | Drukveer | 11 |
| 6 | 1 | 143115330 | Kogel | 11 |
| 7 | 1 | 316053060 | Tandwielhuis compl. | 53 |
| 8 | 3 | 341704810 | Schroef | 11 |
| 9 | 1 | 141153750 | Steunschijf | 12 |
| 10 | 1 | 141180170 | Borgring | 11 |
| 11 | 4 | 342070340 | Schotelveer | 14 |
| 12 | 2 | 339004870 | Frictieschijf | 12 |
| 13 | 1 | 340002750 | Tandwiel | 27 |
| 14 | 1 | 141181290 | Veerring | 11 |
| 15 | 1 | 316052960 | Boorhuls compl. | 30 |
| 16 | 1 | 341161560 | O-ring,11.9X2.62 | 11 |
| 17 | 1 | 341210610 | Dopper | 17 |
| 18 | 1 | 341210600 | Dempingsring | 13 |
| 19 | 1 | 143194640 | O-ring | 12 |
| 21 | 1 | 143193920 | O-ring | 18 |
| 22 | 1 | 141181860 | Borgveer-ring | 11 |
| 23 | 1 | 316048010 | Plunjer compl. | 23 |
| 24 | 1 | 344093140 | Profiel-plunjer-ring | 16 |
| 25 | 1 | 341210790 | Bekrachtigingshuls compl. | 22 |
| 26 | 1 | 342022350 | Borgring | 11 |
| 27 | 1 | 316053010 | Tandwielflens compl. | 30 |
| 28 | 1 | 344070670 | Afdichtvilt | 11 |
| 29 | 1 | 344095920 | Rubber buffer | 11 |
| 30 | 9 | 141116020 | Schroef | 12 |
| 31 | 3 | 143115300 | Schijf axiaal | 11 |
| 32 | 2 | 143115500 | Axiaal-naaldtaatskooi | 14 |
| 33 | 1 | 341161530 | Overbrengingsas compl. | 36 |
| 34 | 3 | 141154920 | Schotelveer | 12 |
| 35 | 1 | 339007680 | Ring | 11 |
| 36 | 1 | 343398340 | Vulling | 11 |
| 37 | 1 | 316052990 | Schakelknop compl. | 16 |
| 38 | 1 | 316045600 | Schakel-element compl. | 16 |
| 39 | 1 | 344499140 | Litze | 11 |
| 40 | 1 | 344499150 | Litze | 11 |
| 41 | 1 | 315013480 | Motorhuis | 26 |
| 42 | 4 | 344092220 | Rubber stop | 11 |
| 43 | 1 | 143115660 | Kogellager 6x19x 6 | 13 |
| 44 | 1 | 310010660 | Anker compl.,230V | 31 |
| 45 | 1 | 143115890 | Kogellager, 8X 22X 7 | 16 |
| 46 | 1 | 343398310 | Centrifugeerschijf | 11 |
| 47 | 1 | 311012030 | Veldpakket compl. | 28 |
| 48 | 1 | 341511630 | Dieptegeleider | 16 |
| 49 | 1 | 314000840 | Handgreep compl. | 20 |
| 50 | 1 | 343409850 | Elektronikschalter | 26 |
| 51 | 1 | 343362490 | Kabelklem | 12 |
| 52 | 1 | 343254560 | Ontstoringcondensator | 11 |
| 53 | 1 | 344099380 | Kabeldoorvoer | 11 |

| Positie | Aantal | Typenummer | Omschrijving | PG |
|----------------|---------------|-------------------|------------------------------|-----------|
| 54 | 1 | 344489060 | Kabel m. CEE-stekker | 26 |
| 55 | 1 | 343013250 | Koolborstelset | 23 |
| 56 | 1 | 338059040 | Typeplaatje | 11 |
| 57 | 1 | 316057090 | Onderhoudset | 43 |
| 90 | 1 | 341059290 | Vangerhuls | 16 |
| 880 | 1 | 344130800 | Tube vet 50 gr. SF 126 | 26 |
| 890 | 1 | 344130560 | Tube vet 50 gr. SF 011 1,8oz | 30 |
| 1001 | 1 | 338505760 | Aansluitschema | |



a# Circuit Block Diagram

