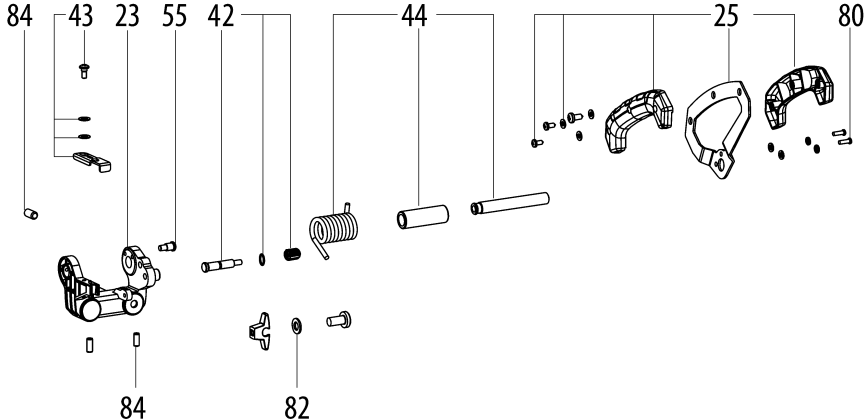
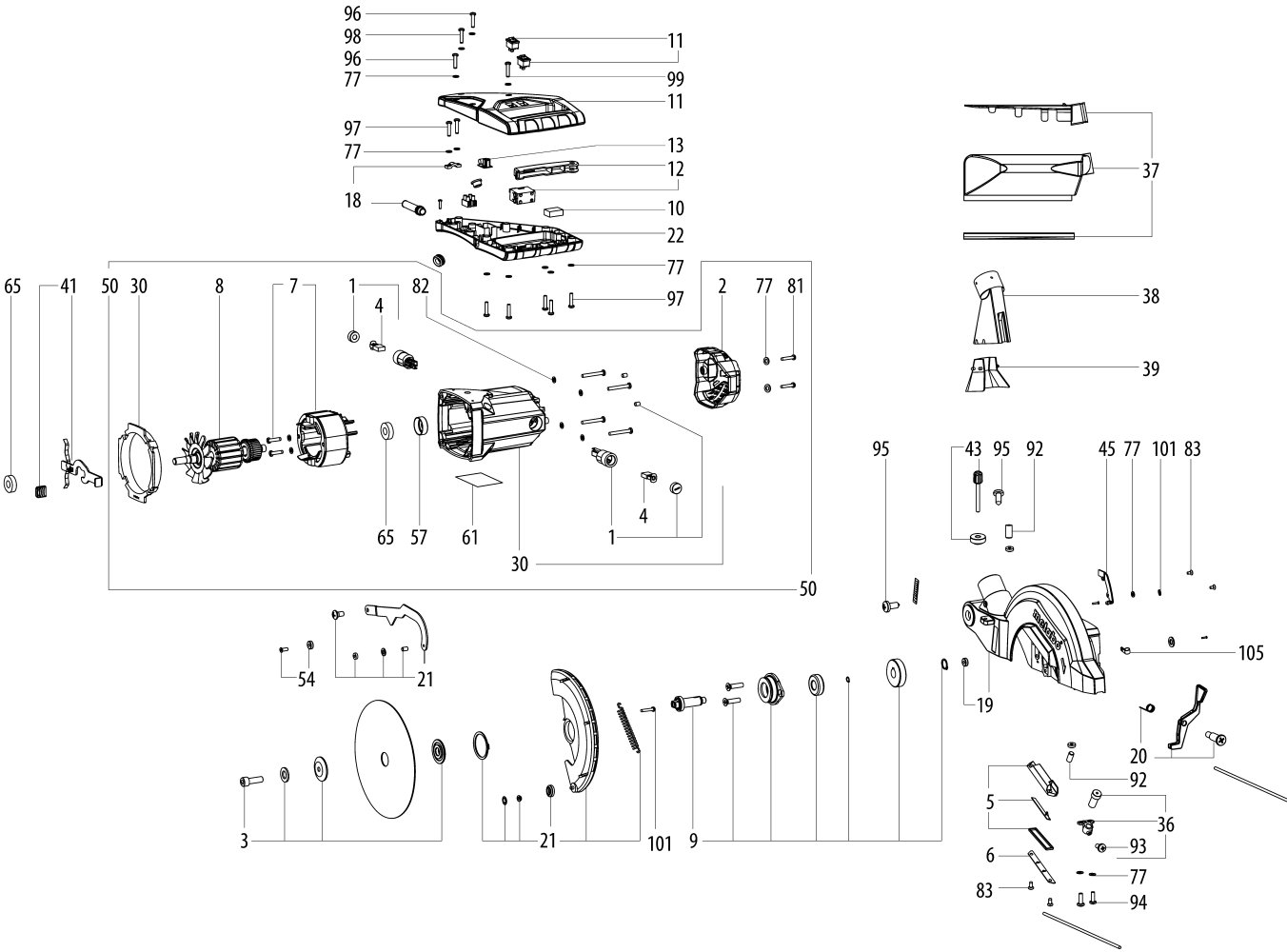


1001







Posisjon	Antall	Produktnummer	Betegnelse	PG
1	1	316092320	Carbon brush holder compl.	17
2	1	343435820	Motor cover	15
3	1	316060630	Flange compl.	21
4	1	316092330	Carbon brush set	17
5	1	343436090	LED-Lamp	20
6	1	343436110	Cover lighting	11
7	1	310011440	Stator	37
8	1	310011490	ARMATURE	40
9	1	316060700	Gear-box compl.	28
10	1	343254900	Condenser	11
11	1	316060720	HÅNDTAK TOPP cpl.	15
12	1	316092430	Switch compl.	21
13	1	343440900	Power supply	24
14	1	316055970	Turntable compl.	40
15	1	316055940	Table compl.	44
17	1	315419090	Foot compl.	13
18	1	316060860	stress relieve compl.	23
19	1	316056240	Wheel guard compl.	37
20	1	316056720	Release lever compl.	14
21	1	316063470	safety guard assy	28
22	1	343435740	Handle bottom part	25
23	1	316056080	Motor bracket compl.	29
24	1	316056110	Pivot compl.	39
25	1	316060950	Handle compl.	23
26	1	316092340	Detent compl.	22
27	1	316056800	Control grip compl.	19
28	1	315418530	Table side extension right	27
29	1	315418500	Table side extension left	27
30	1	316056280	Motor housing compl.	29
31	1	316075690	Workpiece holder compl.	22
32	1	316075440	Bevel clamping comp.	28
33	1	316056000	Stop compl.	33
34	1	316092650	Rear pivot compl.	35
35	1	343436030	Table insert	15
36	1	343436070	Laser with holder	22
37	1	316075450	Dust etraction kit compl.	13
38	1	343435790	Cover dust collector	14
39	1	343436270	Extraction funnel	11
40	1	343436170	CABLE BRACKET	11
41	1	316056880	Spindle lock compl.	15
42	1	316061380	Transport lock compl.	12
43	1	316057460	Depth stop compl.	11
44	1	316061410	tipping axis compl.	24
45	1	343441100	Cover (cable channel)	11
46	2	344113030	Plug in buffer	11
47	1	339136690	cover pivot	11
48	1	316056830	Set screw compl.	11
49	1	316061450	Scale set compl.	15
50	1	316061490	Motor compl.	51
51	1	339147660	GLIDEBLIK 455	13
52	1	316061530	End stop cpl.	15
53	1	343436220	Star grip screw	11

Posisjon	Antall	Produktnummer	Betegnelse	PG
54	1	316061540	Bearing compl.	14
55	1	341722210	Stop screw	11
57	1	344113050	Rubber bushing	11
58	1	316061550	VÆRKTØYHOLDER cpl.	11
61	1	338063030	Rating plate	11
62	1	343437020	Star grip screw	11
64	1	343437040	Star grip screw	11
65	2	143111440	KUGLELEJE 6001 2RS	27
67	1	141132030	Hex nut	11
68	1	141150050	SKIVE	11
69	1	141150390	SKIVE 5348	11
70	1	141113890	ZH-SKRUE M 6X25	12
71	1	141150130	SKIVE	11
72	1	141155240	SKIVE	12
73	1	141130890	Hexagonal lock nut	12
74	1	141156200	Washer	11
75	1	141113840	SKRUE	12
76	1	141110590	LH-SKRUE M 5X10	11
77	1	141150010	SKIVE F / KS 1468	11
79	1	141112180	U/SÆNK,SKRUE M 4X12	11
80	1	141116780	LH-SKRUE M 5X16	11
81	1	141123710	Fillister head screw	11
82	1	141150020	SKIVE	11
83	1	141123840	Countersunk screw	11
84	1	141124510	HEX. SOCKET SET SCREW, FLAT PT M 6X8 VER	11
87	1	141150360	Lock washer	11
88	1	141110540	LH-SKRUE M 4X10	11
90	1	141124460	AKSEL TIL SKRUEHÅNDTAG	11
91	1	141131010	SEKSKANT-MØTRIK M 8	11
92	1	141123410	Grub screw	11
93	1	141116480	GEVINDSTIFT M 4X8	11
94	1	141113590	ZH-SKRUE M 4X12	12
95	1	141124470	CROSS REC'D PAN HEAD TAP.SCREW ST 4,2X9,	11
96	1	141111430	SKRUE	12
97	1	141118730	SELVSK,SKRUE ST 4.2X13	11
98	1	141116800	SELVSK,SKRUE ST 4.2X16	11
99	1	141123940	Self-tap. fill. h. screw	11
100	1	141113220	LH-SKRUE M 4X8	11
101	1	141150350	SKIVE	11
105	1	343441120	CABLE CLAMP	11
1001	1	338505970	Wiring diagram	

