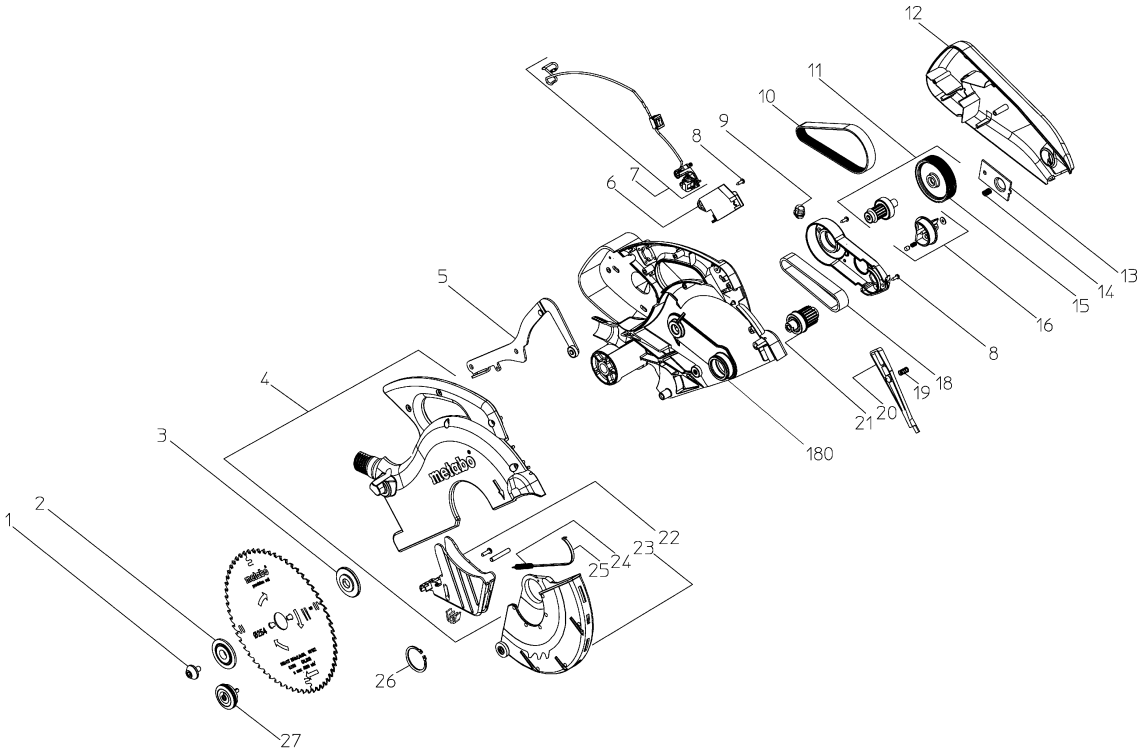
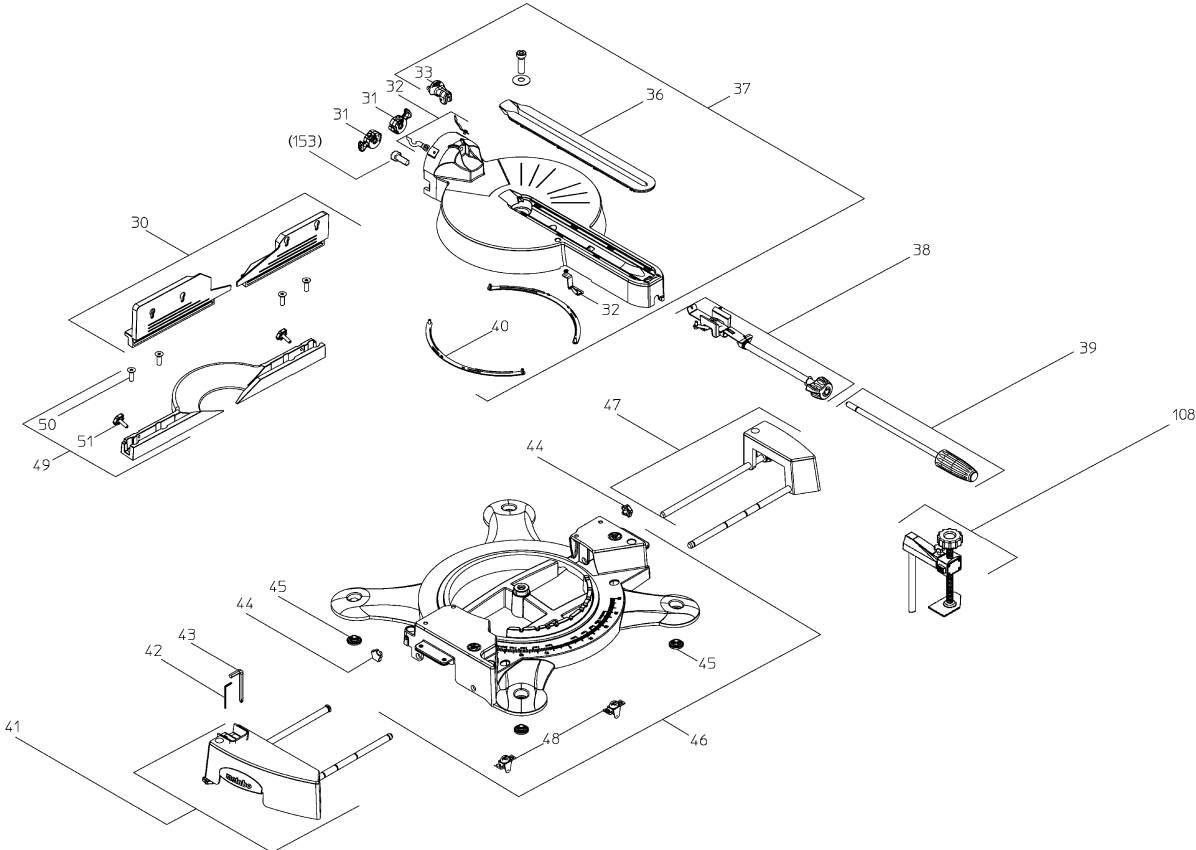
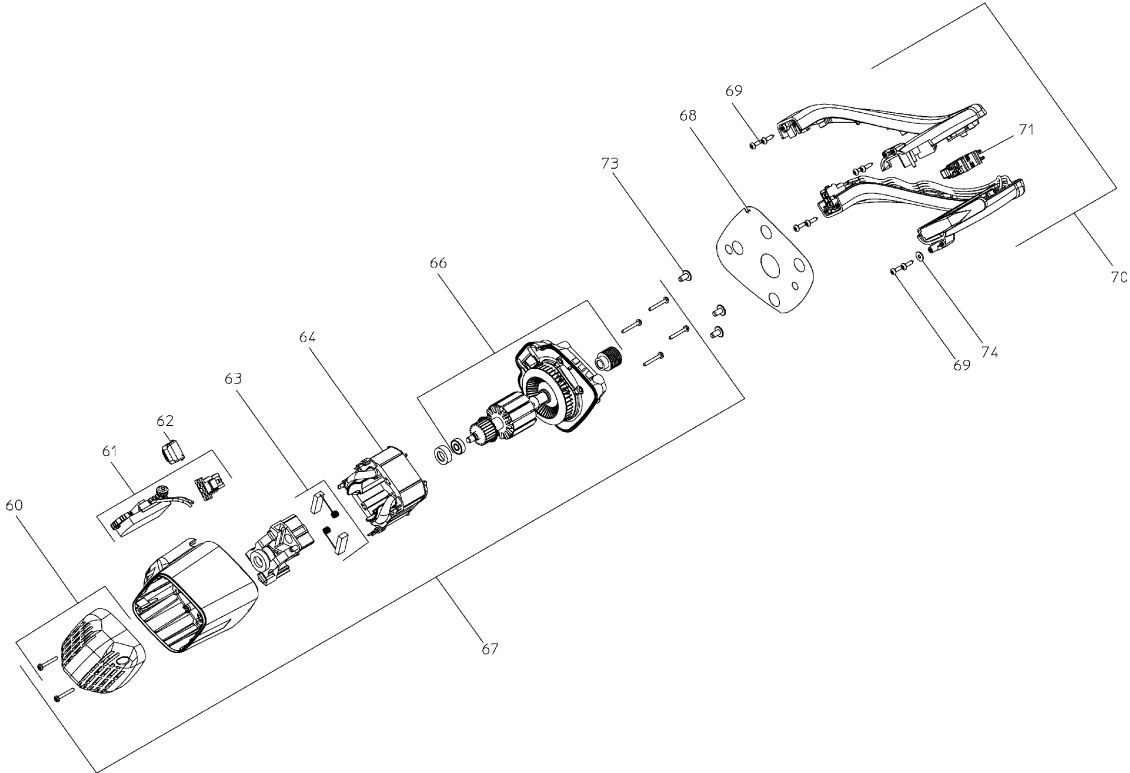


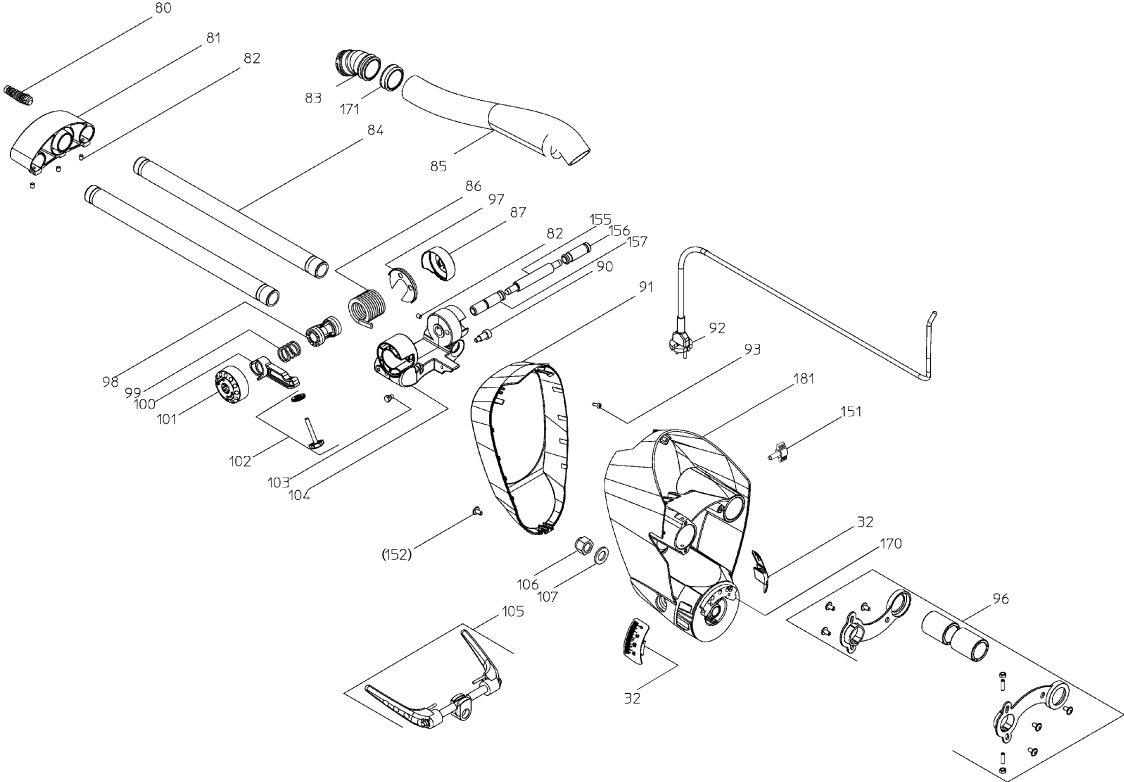
| | Litzenfarben | Colour of strands | Couleur des cordons |
|-------|--------------|-------------------|---------------------|
| BK | schwarz | black | noir |
| WH | weiß | white | blanc |
| BU | blau | blue | bleu |
| YE | gelb | yellow | jaune |
| RD | rot | red | rouge |
| TR | transparent | transparent | transparent |
| BN | braun | brown | brun |
| GY | grau | grey | gris |
| GN/YE | grün-gelb | green-yellow | vert-jaune |
| BK/WH | schwarz-weiß | black-white | noir-blanc |
| GN | grün | green | vert |
| OG | orange | orange | orange |
| VT | violett | violet | violet |
| TQ | türkis | turquoise | turquoise |

| | Bedeutung der Kurzzeichen | Meaning of the symbols | Interprétation des symboles |
|---|---------------------------|-------------------------------------|------------------------------|
| B | Stecker | plug | fiche |
| C | Kondensator | condensator | condensateur |
| D | Funktionsdrossel | interference suppression inductance | inductance d'anti-parasitage |
| E | Elektronik-Baustein | electronic unit | unité électronique |
| I | Induktionspule | induction coil | bobine d'inductance |
| K | Klemme | terminal | borne |
| L | Licht | light | lumière |
| M | Motor | motor | moteur |
| O | Überlastschutz | overload cut-out | déclencheur de surintensité |
| R | Drehrichtungsumschalter | reversing switch | commutateur droite-gauche |
| S | Schalter | switch | interrupteur |
| U | Umschalter | change-over switch | commutateur |
| K | Elektronik-Element | electronic element | élément électronique |









| Pozitie | Cantitate | Numar tip | Denumire | PG |
|---------|-----------|------------|--|----|
| 1 | 1 | 1395739162 | SAW SPINDLE BOLT M 8x20 left | 20 |
| 2 | 1 | 1482736579 | Blade collar, outer | 24 |
| 3 | 1 | 1485736553 | Blade collar, inner | 22 |
| 4 | 1 | 1010736150 | Wheel guard compl. | 34 |
| 5 | 1 | 1010736753 | Swivel lever compl. | 30 |
| 6 | 1 | 8056736540 | Transformator KGS Plus | 31 |
| 7 | 1 | 1010739213 | Laser compl. KGS 315 Plus | 38 |
| 8 | 3 | 6172001805 | Fillister head screw w.fill. head screw | 11 |
| 9 | 1 | 8243740097 | GROMMET | 11 |
| 10 | 1 | 7233736389 | Poly-rib belt | 21 |
| 11 | 1 | 1010739248 | Intermediate shaft KGS 216/254/315 Plus | 34 |
| 12 | 1 | 1381736683 | Belt guard | 23 |
| 13 | 1 | 1010739230 | Saw blade arrest compl. | 20 |
| 14 | 1 | 7051722854 | Pressure spring | 13 |
| 15 | 1 | 1380739255 | POLY-RIB PULLEY KGS 216/254/315 Plus | 34 |
| 16 | 1 | 1010739035 | Transportation lock compl. KGS 216/254/3 | 19 |
| 18 | 1 | 7231703351 | COGGED BELT HTD 300-5M-20 CXP KGT300 | 29 |
| 19 | 1 | 7051711623 | Pressure spring | 11 |
| 20 | 1 | 1381736802 | lock lever lower Guard | 12 |
| 21 | 1 | 1010739132 | Saw blade shaft compl. KGS 216/254/315 | 34 |
| 22 | 1 | 339203820 | Cover dust collector | 19 |
| 23 | 1 | 1010737229 | Safety guard compl. | 30 |
| 24 | 1 | 7051736405 | Return spring | 11 |
| 25 | 1 | 1381736861 | Plastic strip | 11 |
| 26 | 1 | 6400736810 | Retaining ring shaft | 11 |
| 27 | 1 | 1010736893 | Flange bolt | 33 |
| 30 | 1 | 1010737210 | Auxiliary guide compl. | 30 |
| 31 | 2 | 1010736257 | bevel stop compl. KGS Plus | 14 |
| 32 | 1 | 1010739108 | Pointer compl. KGS 216/254/315 Plus | 34 |
| 33 | 1 | 1010739124 | Catch clamb compl KGS 216/254/315 Plus | 22 |
| 36 | 1 | 1010739116 | Table insert compl. KGS 216/254/315 Plus | 20 |
| 37 | 1 | 1010739647 | Turntable compl. KGS 254/315 Plus | 46 |
| 38 | 1 | 1010739159 | Turntable Accessories KGS 254/315 Plus | 34 |
| 39 | 1 | 1010736249 | Control grip compl. KGS Plus | 23 |
| 40 | 2 | 1388739629 | Slide block KGS 254/315 Plus | 18 |
| 41 | 1 | 1010737423 | Table side extension left | 31 |
| 42 | 1 | 9102076823 | ALLEN HEXAGON KEY SW 2,5 SCHWARZ | 11 |
| 43 | 1 | 9102689833 | ALLEN HEXAGON KEY | 16 |
| 44 | 2 | 341704570 | Star grip screw | 13 |
| 45 | 4 | 341147920 | Rubber foot | 20 |
| 46 | 1 | 1010740300 | Table KGS 254/315 Plus | 55 |
| 47 | 1 | 1010737431 | Table side extension left | 30 |
| 48 | 2 | 1010737555 | Extension detent compl. KS 254/305 | 21 |
| 49 | 1 | 1010736427 | Stop compl. | 30 |
| 50 | 4 | 6132002060 | HEX.SOCKET COUNTERS.HEAD SCREW | 11 |
| 51 | 2 | 341704580 | Star grip screw | 13 |
| 60 | 1 | 1010739418 | End cap KGS 315 | 34 |
| 61 | 1 | 343082440 | Electronic unit,230V 50Hz | 37 |
| 62 | 1 | 1381737167 | Connector cover | 13 |
| 63 | 1 | 1010739060 | Carbon Brush 230V compl KGS 315 Plus | 28 |
| 64 | 1 | 8011739294 | STATOR 230V KGS 315 Plus | 35 |
| 66 | 1 | 1010739094 | Amature 230V compl. KGS 315 Plus | 42 |

| Pozitie | Cantitate | Numar tip | Denumire | PG |
|---------|-----------|------------|--|----|
| 67 | 1 | 1010736133 | Motor compl. | 54 |
| 68 | 1 | 7631740116 | Gasket | 12 |
| 69 | 9 | 341702050 | Screw | 11 |
| 70 | 1 | 1010736168 | Handle compl. | 31 |
| 71 | 1 | 8111737712 | On-off switch KS 254/305 | 27 |
| 73 | 3 | 6143661561 | Fillister head screw w.flange | 11 |
| 74 | 1 | 141150110 | Washer | 11 |
| 80 | 1 | 8402736722 | Strain relief | 13 |
| 81 | 1 | 1380736582 | Rear pivot | 25 |
| 82 | 6 | 6164029245 | Grub screw w.internal hexagon | 11 |
| 83 | 1 | 1381691566 | DUST EXTRACTION PORT 44/35-44/32 | 16 |
| 84 | 2 | 1385736475 | Feed rod | 45 |
| 85 | 1 | 1381736535 | Suction hose | 16 |
| 86 | 1 | 7051736618 | Torsion spring | 19 |
| 87 | 1 | 1381736594 | Cover cap | 12 |
| 90 | 1 | 1485735689 | Stop screw | 19 |
| 91 | 1 | 1381736330 | Cover pivot | 20 |
| 92 | 1 | 8402737230 | Cable with CH plug 2x1,0x2900 | 26 |
| 93 | 1 | 341702050 | Screw | 11 |
| 96 | 1 | 1010739434 | Rep-Set linear-bearing compl. | 34 |
| 97 | 1 | 7631738677 | Sealing washer | 11 |
| 98 | 2 | 1381736497 | Bushing (torsion spring bush) | 11 |
| 99 | 1 | 7051736413 | Pressure spring | 11 |
| 100 | 1 | 1380736787 | Depth stop | 19 |
| 101 | 1 | 1381736519 | Control knob | 13 |
| 102 | 1 | 6143736880 | Knurled thumb screw | 13 |
| 103 | 1 | 6104220876 | Hex fit bolt | 14 |
| 104 | 1 | 1380736469 | Front pivot | 31 |
| 105 | 1 | 1010739027 | Clamping lever compl. KGS 216/254/315 Pl | 30 |
| 107 | 1 | 141156740 | Washer | 11 |
| 108 | 1 | 1010737440 | Work clamb assy compl. KS Plus | 34 |
| 109 | 1 | 343395700 | Gear-box cover | 30 |
| 110 | 1 | 338132080 | Indication label,Laser | 12 |
| 151 | 1 | 341704560 | Thumbscrew | 14 |
| 152 | 1 | 399999990 | Part not needed | |
| 153 | 1 | 399999990 | Part not needed | |
| 154 | 1 | 343431800 | Dust guide,KGSplus | 11 |
| 155 | 1 | 341059660 | Shaft | 23 |
| 156 | 1 | 341005920 | Sleeve left | 22 |
| 157 | 1 | 341005910 | Sleeve right | 23 |
| 170 | 10 | 343394090 | Lever | 21 |
| 171 | 1 | 1381212943 | END SLEEVE JOINER | 13 |
| 180 | 1 | 1010736192 | Motor bracket compl. | 55 |
| 181 | 1 | 1010736214 | Pivot compl.,KGS 315 Plus | 53 |