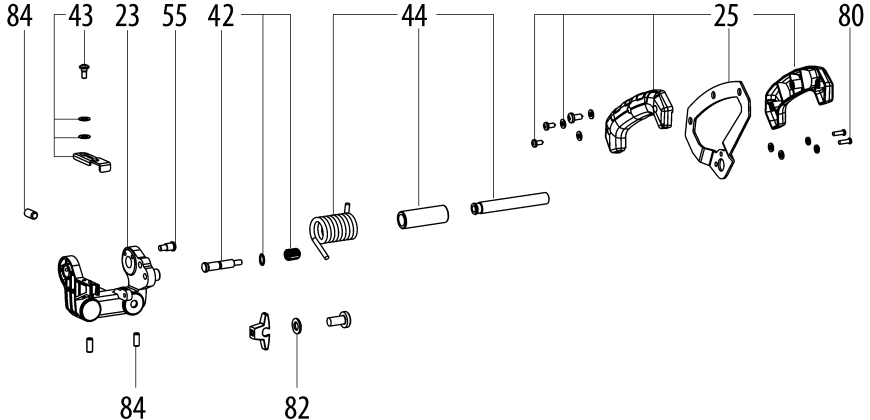
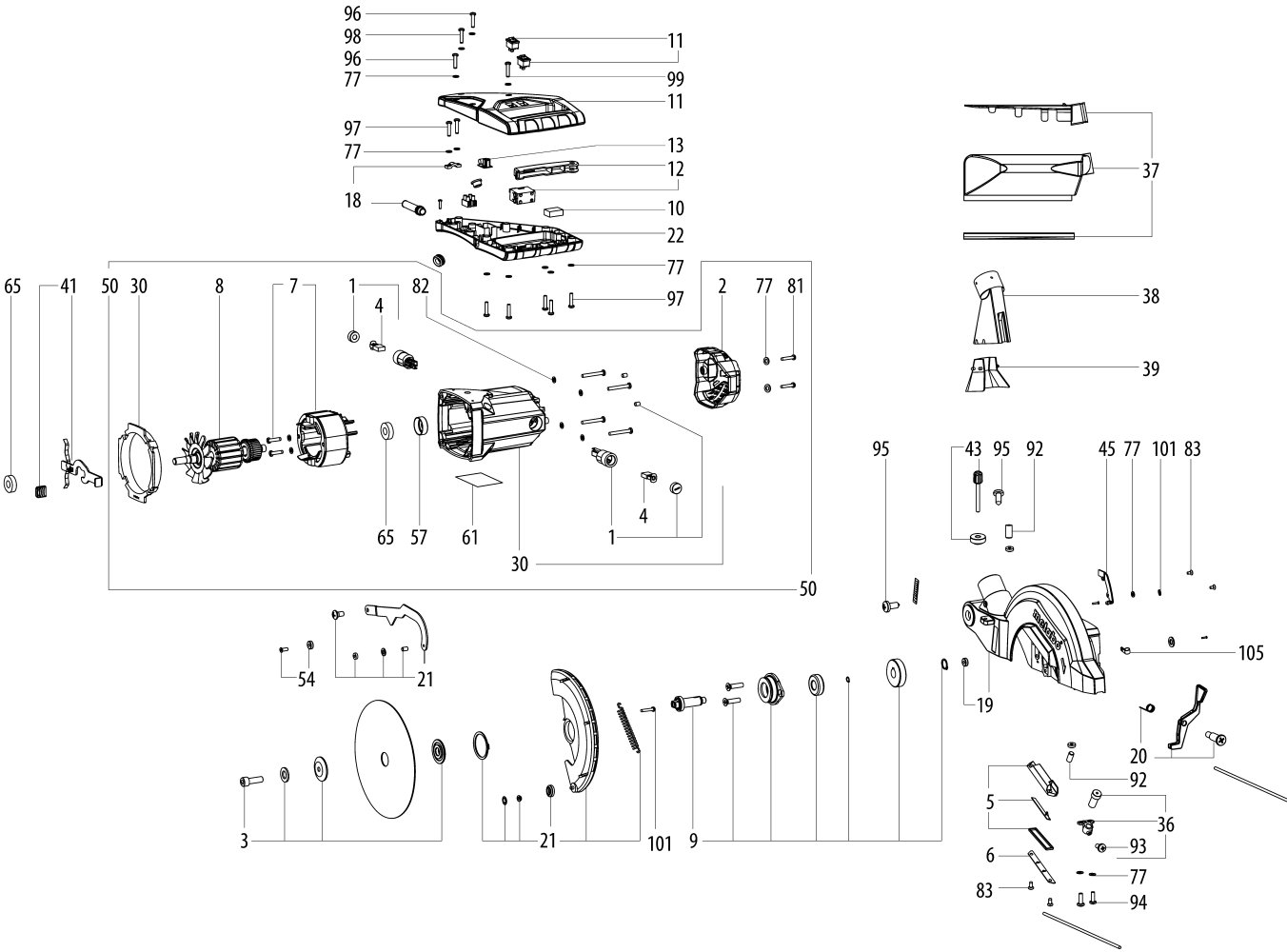


1001







Position	Belopp	Typnummer	Beskrivning	PG
1	1	316092320	KOL M. HÅLLARE	17
2	1	343435820	Motor cover	15
3	1	316060630	Flange compl.	21
4	1	316092330	KOLSATS	17
5	1	343436090	LED-Lamp	20
6	1	343436110	Cover lighting	11
7	1	310011440	Stator	37
8	1	310011490	ARMATURE	40
9	1	316060700	Gear-box compl.	28
10	1	343254900	KONDENSATOR	11
11	1	316060720	upper handle with switch set	15
12	1	316092430	Switch compl.	21
13	1	343440900	Power supply	24
14	1	316055970	Turntable compl.	40
15	1	316055940	Table compl.	44
17	1	315419090	Foot compl.	13
18	1	316060860	stress relieve compl.	23
19	1	316056240	Wheel guard compl.	37
20	1	316056720	BRYTASPÄRR	14
21	1	316063470	safety guard assy	28
22	1	343435740	Handle bottom part	25
23	1	316056080	Motor bracket compl.	29
24	1	316056110	Pivot compl.	39
25	1	316060950	Handle compl.	23
26	1	316092340	Detent compl.	22
27	1	316056800	Control grip compl.	19
28	1	315418530	Table side extension right	27
29	1	315418500	Table side extension left	27
30	1	316056280	Motor housing compl.	29
31	1	316075690	Workpiece holder compl.	22
32	1	316075440	Bevel clamping comp.	28
33	1	316056000	Stop compl.	33
34	1	316092650	Rear pivot compl.	35
35	1	343436030	Table insert	15
36	1	343436070	LASER MED HÅLLARE	22
37	1	316075450	DAMMPÅSE	13
38	1	343435790	Cover dust collector	14
39	1	343436270	Extraction funnel	11
40	1	343436170	CABLE BRACKET	11
41	1	316056880	Spindle lock compl.	15
42	1	316061380	Transport lock compl.	12
43	1	316057460	Depth stop compl.	11
44	1	316061410	tipping axis compl.	24
45	1	343441100	Cover (cable channel)	11
46	2	344113030	Plug in buffer	11
47	1	339136690	cover pivot	11
48	1	316056830	Set screw compl.	11
49	1	316061450	Scale set compl.	15
50	1	316061490	Motor compl.	51
51	1	339147660	BLECK	13
52	1	316061530	End stop cpl.	15
53	1	343436220	Star grip screw	11

Position	Belopp	Typnummer	Beskrivning	PG
54	1	316061540	Bearing compl.	14
55	1	341722210	Stop screw	11
57	1	344113050	Rubber bushing	11
58	1	316061550	VERKTYGSHÅLLARE	11
61	1	338063030	Rating plate	11
62	1	343437020	Star grip screw	11
64	1	343437040	Star grip screw	11
65	2	143111440	LAGER	27
67	1	141132030	Hex nut	11
68	1	141150050	BRICKA	11
69	1	141150390	SKIVE 5348	11
70	1	141113890	SKRUV	12
71	1	141150130	BRICKA	11
72	1	141155240	LÅS	12
73	1	141130890	Hexagonal lock nut	12
74	1	141156200	Washer	11
75	1	141113840	SKRUV	12
76	1	141110590	SKRUV	11
77	1	141150010	Washer	11
79	1	141112180	SKRUV	11
80	1	141116780	LH-SKRUV M 5X16	11
81	1	141123710	Fillister head screw	11
82	1	141150020	BRICKA	11
83	1	141123840	Countersunk screw	11
84	1	141124510	SKRUV M 6X8	11
87	1	141150360	Lock washer	11
88	1	141110540	SKRUV	11
90	1	141124460	BULT	11
91	1	141131010	MUTTER	11
92	1	141123410	Grub screw	11
93	1	141116480	SKRUV	11
94	1	141113590	SKRUV	12
95	1	141124470	CROSS REC'D PAN HEAD TAP.SCREW ST 4,2X9,	11
96	1	141111430	SKRUV	12
97	1	141118730	SKRUV	11
98	1	141116800	SKRUV	11
99	1	141123940	Self-tap. fill. h. screw	11
100	1	141113220	SKRUV	11
101	1	141150350	BRICKA	11
105	1	343441120	CABLE CLAMP	11
1001	1	338505970	Wiring diagram	

