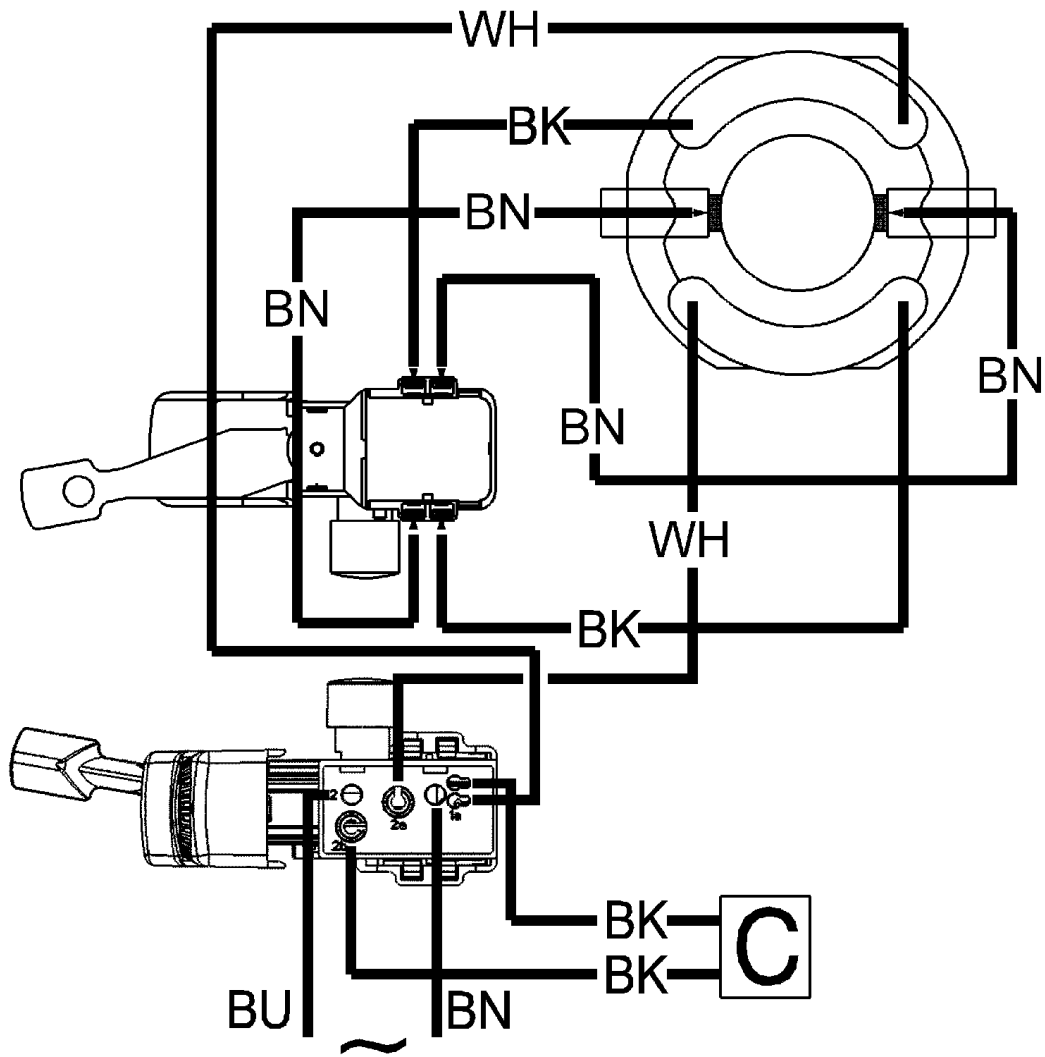


Position	Belopp	Typnummer	Beskrivning	PG
1	1	344099390	Rubber cap	11
2	1	342022340	Circlip	11
3	1	343432920	RING	16
4	1	339007650	Washer	11
5	1	342003890	Pressure spring	11
6	1	143115330	KULA	11
7	1	316053060	Gear-box compl.	53
8	3	341704810	Screw	11
9	1	141153750	BRICKA	12
10	1	141180170	LÅSRING	11
11	4	342070340	Cup spring	14
12	2	339004870	Friction washer	12
13	1	340002750	Spur gear	27
14	1	141181290	Circlip	11
15	1	316052960	Drill driving sleeve compl.	30
16	1	341161560	O-ring,11.9X2.62	11
17	1	341210610	Piston	17
18	1	341210600	Damping ring	13
19	1	143194640	O RING	12
21	1	143193920	O-RING	18
22	1	141181860	LÅSRING	11
23	1	316048010	Striker compl.	23
24	1	344093140	FORMRING	16
25	1	341210790	exciter sleeve compl.	22
26	1	342022350	sealing ring	11
27	1	316053010	Gear flange compl.	30
28	1	344070670	Felt seal	11
29	1	344095920	PACKNING	11
30	9	141116020	SKRUV	12
31	3	143115300	Thrust washer	11
32	2	143115500	Axial needle bearing	14
33	1	341161530	Intermediate gear compl.	36
34	3	141154920	BRICKA	12
35	1	339007680	Washer	11
36	1	343398340	Seal	11
37	1	316052990	Control knob compl.	16
38	1	316045600	Shift element compl.	16
39	1	344499140	Strand	11
40	1	344499150	Strand	11
41	1	315013480	Motor housing	26
42	4	344092220	STÖD	11
43	1	143115660	KULLAGER	13
44	1	310010660	Armature compl.,230V	31
45	1	143115890	KULLAGER 8 X 22 X 7	16
46	1	343398310	Sealing washer	11
47	1	311012030	Field coil compl.	28
48	1	341511630	Depth stop	16
49	1	314000840	STÖDHANDTAG GE 900	20
50	1	343409850	Electronic switch	26
51	1	343362490	KLÄMMA	12
52	1	343254560	Suppressor	11
53	1	344099380	Cable sleeve	11

<b>Position</b>	<b>Belopp</b>	<b>Typnummer</b>	<b>Beskrivning</b>	<b>PG</b>
54	1	344489060	KABEL	26
55	1	343013250	Carbon brush set	23
56	1	338059040	Rating plate	11
57	1	316057090	Maintenance kit	43
90	1	341059290	Catching sleeve	16
880	1	344130800	TUB FETT GF126	26
890	1	344130560	FETT SF 011	30
1001	1	338505760	Diagram	



a# Circuit Block Diagram

