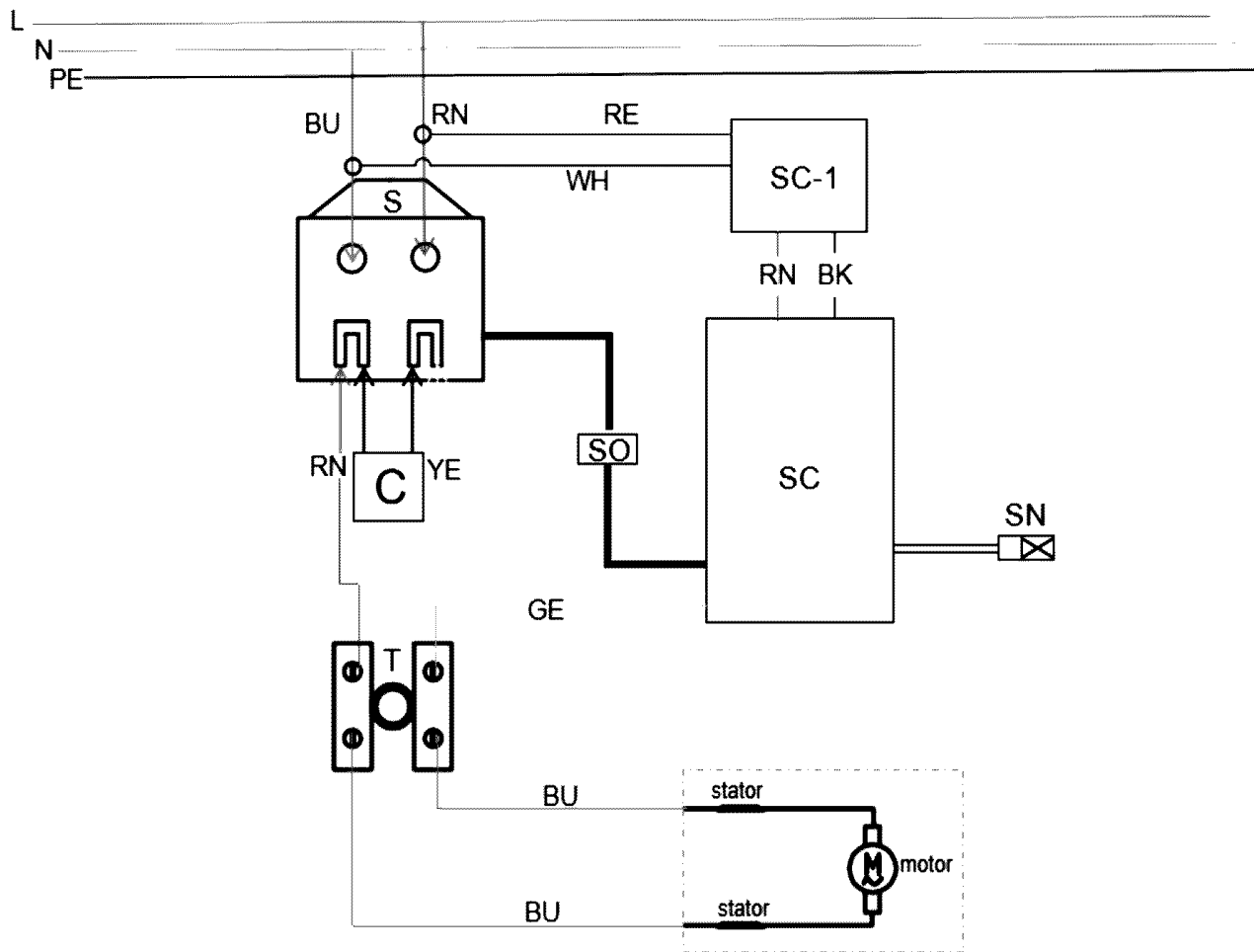


Position	Belopp	Typnummer	Beskrivning	PG
1	1	343412940	Top cover	16
2	1	343089880	electronic unit	31
5	1	141119100	SKRUV	12
6	1	343412960	Housing cover	12
10	1	339149820	BRICKA	11
11	1	343255370	KONDENSATOR	11
12	2	343458590	CABLE CLAMP	11
13	1	343413010	Switch	21
16	12	141124210	Fillister head screw	11
17	1	344104420	Cord sleeve	11
18	1	344533860	Cable with plug	22
22	1	311013790	Field	32
23	2	341724020	BULT	11
24	2	343050440	Cable terminal	11
25	1	343412990	Motor housing	21
29	2	341724040	BULT	11
30	1	339153220	Air baffle\010172_1600/2	16
33	8	344104430	Rubber plug	11
36	1	141124800	Fillister head screw	11
37	1	343458600	Tacho disc	16
38	1	344104440	BUSSNING	11
39	3	143116080	KULLAGER 8 X 22 X 7	16
40	1	339008500	Washer	11
41	1	310102450	Armature	33
42	3	141120550	SKRUV	11
43	1	339149830	DÆKSEL FOR MHE 10	11
44	1	143111120	KULLAGER	25
45	1	315203440	Gear flange	12
46	1	339146000	Bracket[]front[]	20
47	4	341724060	BULT	11
48	1	339146010	Bracket[]back[]	20
49	1	320051240	Needle bearing	12
50	3	320051230	Ball bearing	15
51	4	344070760	Felt	11
52	1	343458330	Oil baffle plate	11
53	1	339008510	Washer	11
54	1	340004990	Gear wheel	21
55	1	341164500	Slide block	11
56	1	341213980	Drive shaft	19
57	1	340005000	Gear wheel	16
58	1	341213990	Drive shaft	20
59	1	341520100	Pin	11
62	1	341164520	Ball,D5	11
63	1	344104450	O-RING	11
65	1	339149840	Shift element	12
66	4	341724070	BULT	11
67	1	342024670	sealing ring	11
68	1	340005010	Gear wheel	20
69	1	341520130	Pin	11
70	1	315203450	VÅXELHUS	28
71	1	342024680	sealing ring	11
72	1	7100016995	DEEP GROOVE BALL BEARING	22

Position	Belopp	Typnummer	Beskrivning	PG
75	2	342024690	sealing ring	11
76	1	341164510	Slide block	11
77	1	339149850	Spindle	21
78	1	341606210	Extension pole 200mm	24
82	1	344164780	FAST NYCKEL	14
83	1	344164790	FAST NYCKEL	14
84	1	338078860	Rating plate	12
87	1	338135210	type label	12
89	2	316074920	Brush holder compl.	18
90	1	344533890	Cable with guide compl	19
91	1	343013740	KOL	15
92	1	343458610	Handle right	21
93	1	343458620	Handle cover left	21
94	1	316074930	Buffer cpl.	22
95	1	316074950	Control knob compl.	12
96	1	316074960	Gasket compl.	11
880	1	344130940	Tube Grease	11
1001	1	338510850	Wiring diagram	



AB.	COLOUR OF STANDS
BU	BLUE
RN	BROWN
GR	GREY
RE	RED
WH	WHITE
BK	BLACK
YE	YELLOW
GE	GREEN

AB.	MEANING OF THE SYMBOLS
C	CAPACITANCE
S	SWITCH
T	TERMINALS
SC	SPEED CONTROLLER
SC-1	
SO	SOCKET
SN	SENSOR