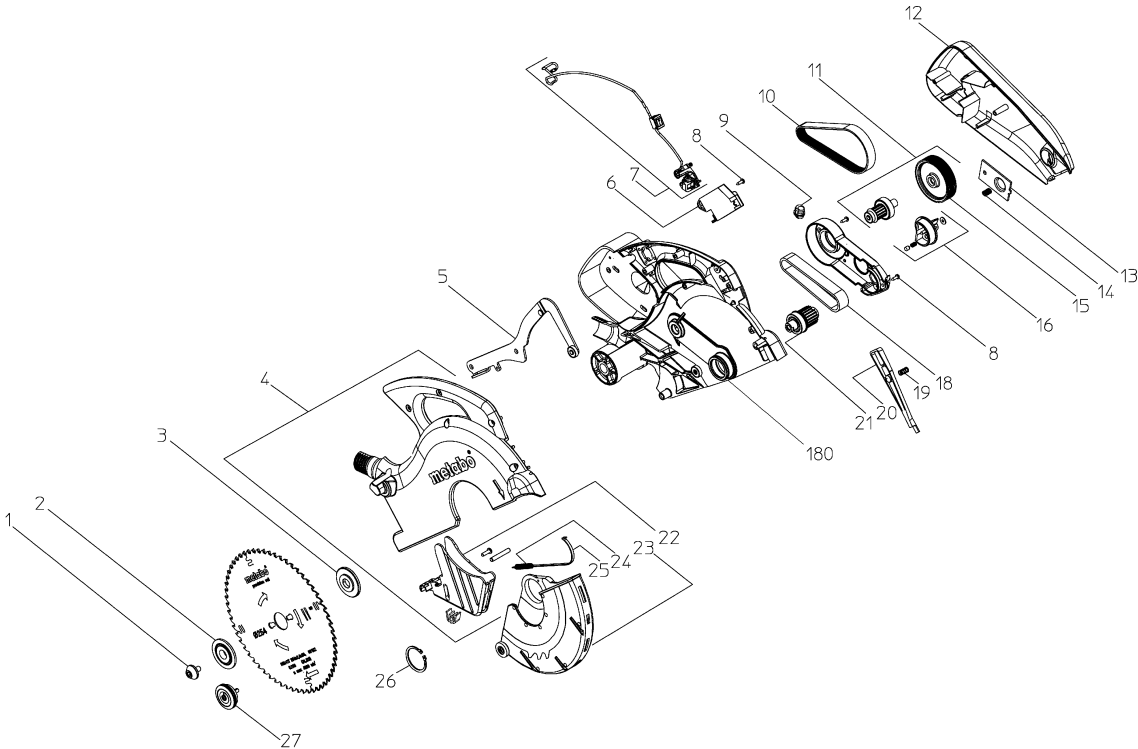
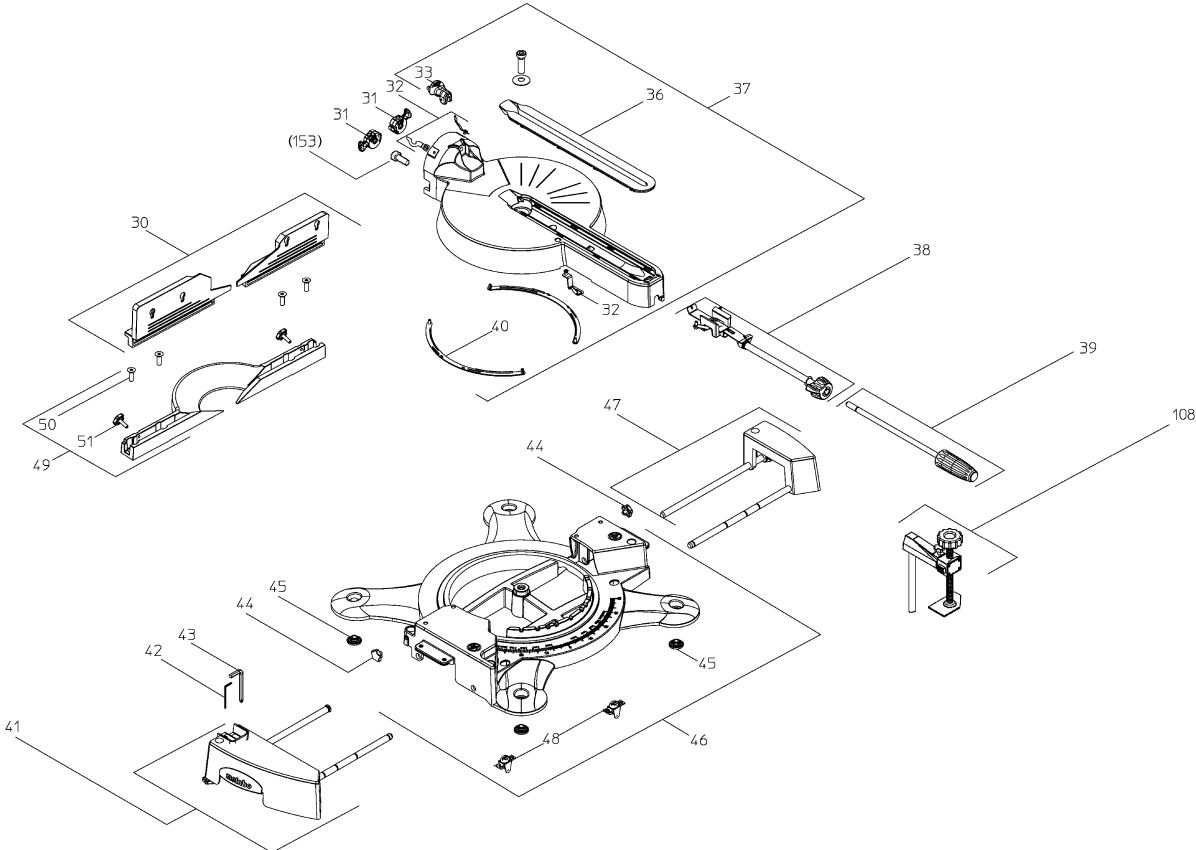


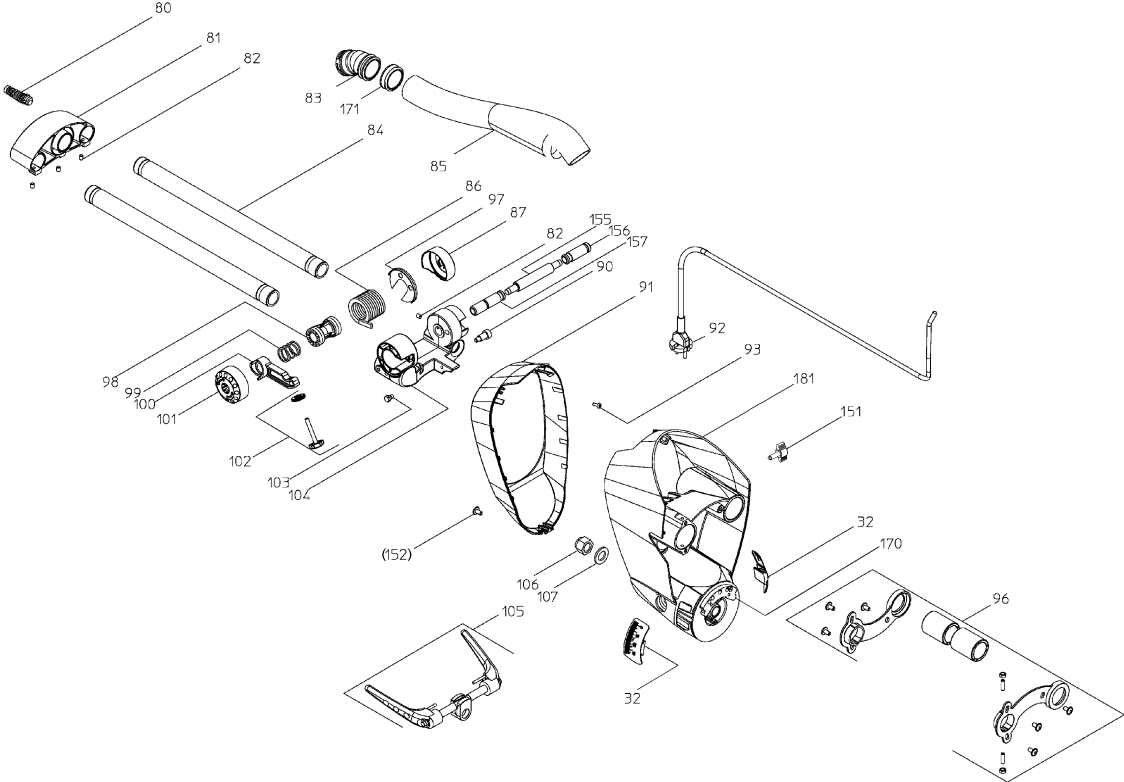
	Litzenfarben	Colour of strands	Couleur des cordons
BK	schwarz	black	noir
WH	weiß	white	blanc
BU	blau	blue	bleu
YE	gelb	yellow	jaune
RD	rot	red	rouge
TR	transparent	transparent	transparent
BN	braun	brown	brun
GY	grau	grey	gris
GN/YE	grün-gelb	green-yellow	vert-jaune
BK/WH	schwarz-weiß	black-white	noir-blanc
GN	grün	green	vert
OG	orange	orange	orange
VT	violett	violet	violet
TQ	türkis	turquoise	turquoise

	Bedeutung der Kurzzeichen	Meaning of the symbols	Interprétation des symboles
B	Stecker	plug	fiche
C	Kondensator	condensator	condensateur
D	Funktionsdrossel	interference suppression inductance	inductance d'antiparasitage
E	Elektronik-Baustein	electronic unit	unité électronique
I	Induktionspule	induction coil	bobine d'inductance
K	Klemme	terminal	borne
L	Licht	light	lumière
M	Motor	motor	moteur
O	Überlastschutz	overload cut-out	déclencheur de surintensité
R	Drehrichtungsumschalter	reversing switch	commutateur droite-gauche
S	Schalter	switch	interrupteur
U	Umschalter	change-over switch	commutateur
K	Elektronik-Element	electronic element	élément électronique









Position	Belopp	Typpnummer	Beskrivning	PG
1	1	1395739162	SAW SPINDLE BOLT M 8x20 left	20
2	1	1482736579	Blade collar, outer	24
3	1	1485736553	Blade collar, inner	22
4	1	1010736150	Wheel guard compl.	34
5	1	1010736753	Swivel lever compl.	30
6	1	8056736540	Transformator KGS Plus	31
7	1	1010739213	Laser compl. KGS 315 Plus	38
8	3	6172001805	STIFT	11
9	1	8243740097	GROMMET	11
10	1	7233736389	Poly-rib belt	21
11	1	1010739248	Intermediate shaft KGS 216/254/315 Plus	34
12	1	1381736683	Belt guard	23
13	1	1010739230	Saw blade arrest compl.	20
14	1	7051722854	Pressure spring	13
15	1	1380739255	POLY-RIB PULLEY KGS 216/254/315 Plus	34
16	1	1010739035	Transportation lock compl. KGS 216/254/3	19
18	1	7231703351	DRIVREM HTD 300-5M-20 CXP KGT300	29
19	1	7051711623	Pressure spring	11
20	1	1381736802	lock lever lower Guard	12
21	1	1010739132	Saw blade shaft compl. KGS 216/254/315	34
22	1	339203820	Cover dust collector	19
23	1	1010737229	Safety guard compl.	30
24	1	7051736405	Return spring	11
25	1	1381736861	Plastic strip	11
26	1	6400736810	Retaining ring shaft	11
27	1	1010736893	Flange bolt	33
30	1	1010737210	Auxiliary guide compl.	30
31	2	1010736257	bevel stop compl. KGS Plus	14
32	1	1010739108	Pointer compl. KGS 216/254/315 Plus	34
33	1	1010739124	Catch clamb compl KGS 216/254/315 Plus	22
36	1	1010739116	Table insert compl. KGS 216/254/315 Plus	20
37	1	1010739647	Turntable compl. KGS 254/315 Plus	46
38	1	1010739159	Turntable Accessories KGS 254/315 Plus	34
39	1	1010736249	Control grip compl. KGS Plus	23
40	2	1388739629	Slide block KGS 254/315 Plus	18
41	1	1010737423	Table side extension left	31
42	1	9102076823	ALLEN HEXAGON KEY SW 2,5 SCHWARZ	11
43	1	9102689833	ALLEN HEXAGON KEY	16
44	2	341704570	Star grip screw	13
45	4	341147920	Rubber foot	20
46	1	1010740300	Table KGS 254/315 Plus	55
47	1	1010737431	Table side extension left	30
48	2	1010737555	Extension detent compl. KS 254/305	21
49	1	1010736427	Stop compl.	30
50	4	6132002060	HEX.SOCKET COUNTERS.HEAD SCREW	11
51	2	341704580	Star grip screw	13
60	1	1010739418	End cap KGS 315	34
61	1	343082440	Electronic unit,230V 50Hz	37
62	1	1381737167	Connector cover	13
63	1	1010739060	Carbon Brush 230V compl KGS 315 Plus	28
64	1	8011739294	STATOR 230V KGS 315 Plus	35
66	1	1010739094	Amature 230V compl. KGS 315 Plus	42

Position	Belopp	Typnummer	Beskrivning	PG
67	1	1010736133	Motor compl.	54
68	1	7631740116	Gasket	12
69	9	341702050	SKRUV	11
70	1	1010736168	Handle compl.	31
71	1	8111737712	On-off switch KS 254/305	27
73	3	6143661561	Fillister head screw w.flange	11
74	1	141150110	BRICKA	11
80	1	8402736722	Strain relief	13
81	1	1380736582	Rear pivot	25
82	6	6164029245	GEVINDSTIFT M 6X8 HC 260	11
83	1	1381691566	STOS 44/35-44/32 KGS/MET	16
84	2	1385736475	Feed rod	45
85	1	1381736535	Suction hose	16
86	1	7051736618	Torsion spring	19
87	1	1381736594	Cover cap	12
90	1	1485735689	Stop screw	19
91	1	1381736330	Cover pivot	20
92	1	8402737230	Cable with CH plug 2x1,0x2900	26
93	1	341702050	SKRUV	11
96	1	1010739434	Rep-Set linear-bearing compl.	34
97	1	7631738677	Sealing washer	11
98	2	1381736497	Bushing (torsion spring bush)	11
99	1	7051736413	Pressure spring	11
100	1	1380736787	Depth stop	19
101	1	1381736519	Control knob	13
102	1	6143736880	Knurled thumb screw	13
103	1	6104220876	BOLT	14
104	1	1380736469	Front pivot	31
105	1	1010739027	Clamping lever compl. KGS 216/254/315 PI	30
107	1	141156740	Washer	11
108	1	1010737440	Work clamb assy compl. KS Plus	34
109	1	343395700	Gear-box cover	30
110	1	338132080	Indication label,Laser	12
151	1	341704560	Thumbscrew	14
152	1	399999990	Part not needed	
153	1	399999990	Part not needed	
154	1	343431800	Dust guide,KGSplus	11
155	1	341059660	Shaft	23
156	1	341005920	Sleeve left	22
157	1	341005910	Sleeve right	23
170	10	343394090	Lever	21
171	1	1381212943	FORBINDINGSSTYKKE TKHS	13
180	1	1010736192	Motor bracket compl.	55
181	1	1010736214	Pivot compl.,KGS 315 Plus	53